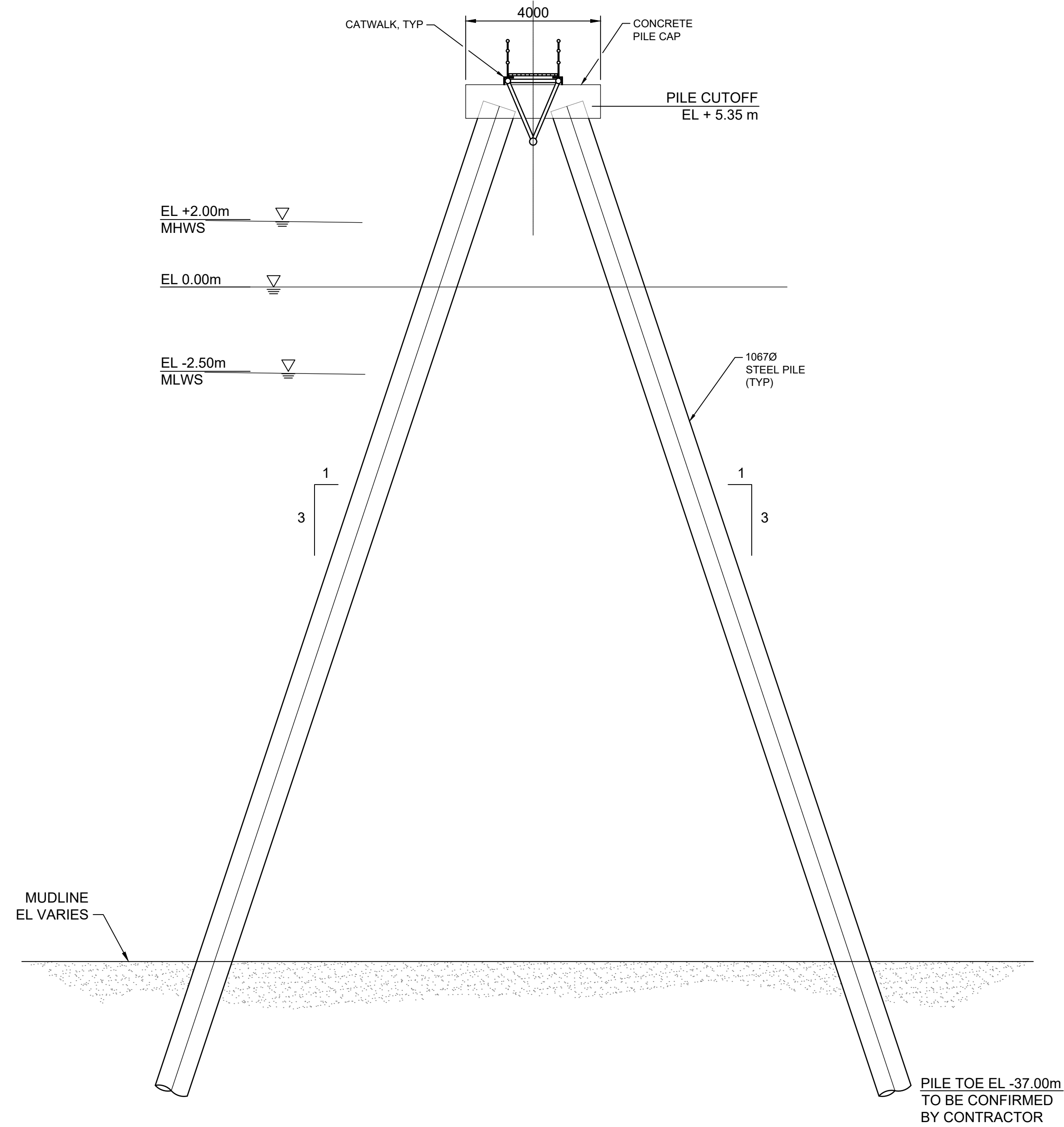


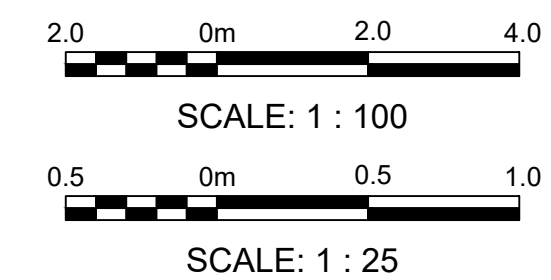
CATWALK SECTION
SCALE: 1:25



A3 CATWALK INTERMEDIATE SUPPORT SECTION
S-515 SCALE: 1:100

NOTES:

1. ALL DIMENSIONS ARE SHOWN IN MILLIMETERS UNLESS NOTED OTHERWISE.
2. BATHYMETRIC CONTOURS ARE TAKEN FROM BATHYMETRIC SURVEY CARRIED OUT BY IRISH HYDRODATA LTD. AUGUST 2006 AND ARE TO CHART DATUM.



ISSUE FOR PLANNING
ISSUED: 2021-08-17
NOT TO BE USED FOR CONSTRUCTION

Mark	Description	Date	Appr

SHANNON LNG LIMITED
SHANNON TECHNOLOGY AND ENERGY PARK (STEP)

CATWALK INTERMEDIATE SUPPORT

Designed by: FMC	Date: 2021-08-17	Rev:
Drawn by: REV	Checked by: AB	M&A Project No.: 921236
Reviewed by: AB	Drawing code:	Drawing Scale: 1:1 (Metric D)
Submitted by: MOFFATT & NICHOL		

THE HUB
FARNBOROUGH BUSINESS PARK
FOWLER AVENUE
FARNBOROUGH
HANTS
UNITED KINGDOM
T 44(0)1252 516388

moffatt & nichol

SEAL

Sheet Reference No.
S-515
INDEX: 20 OF 21