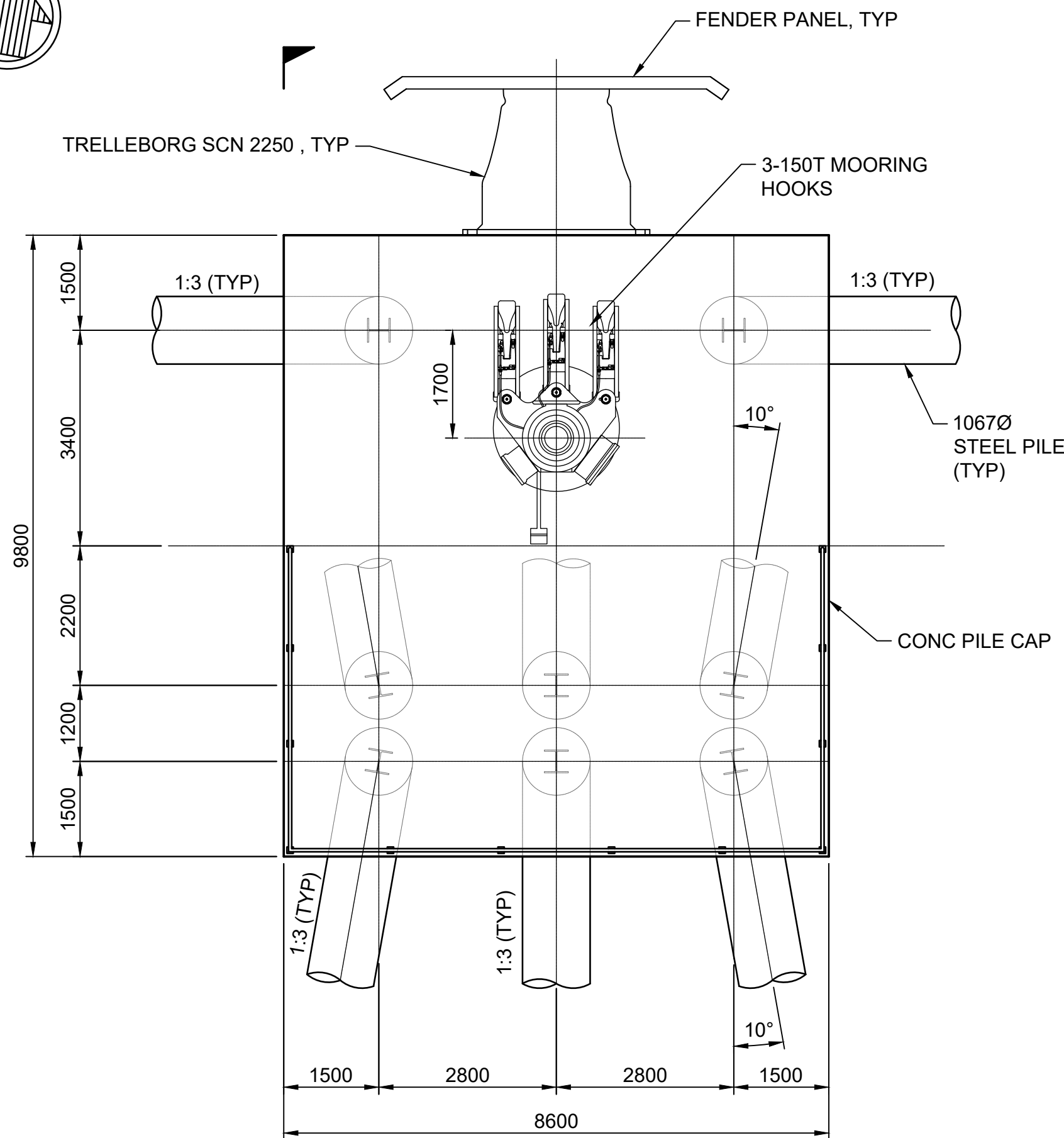


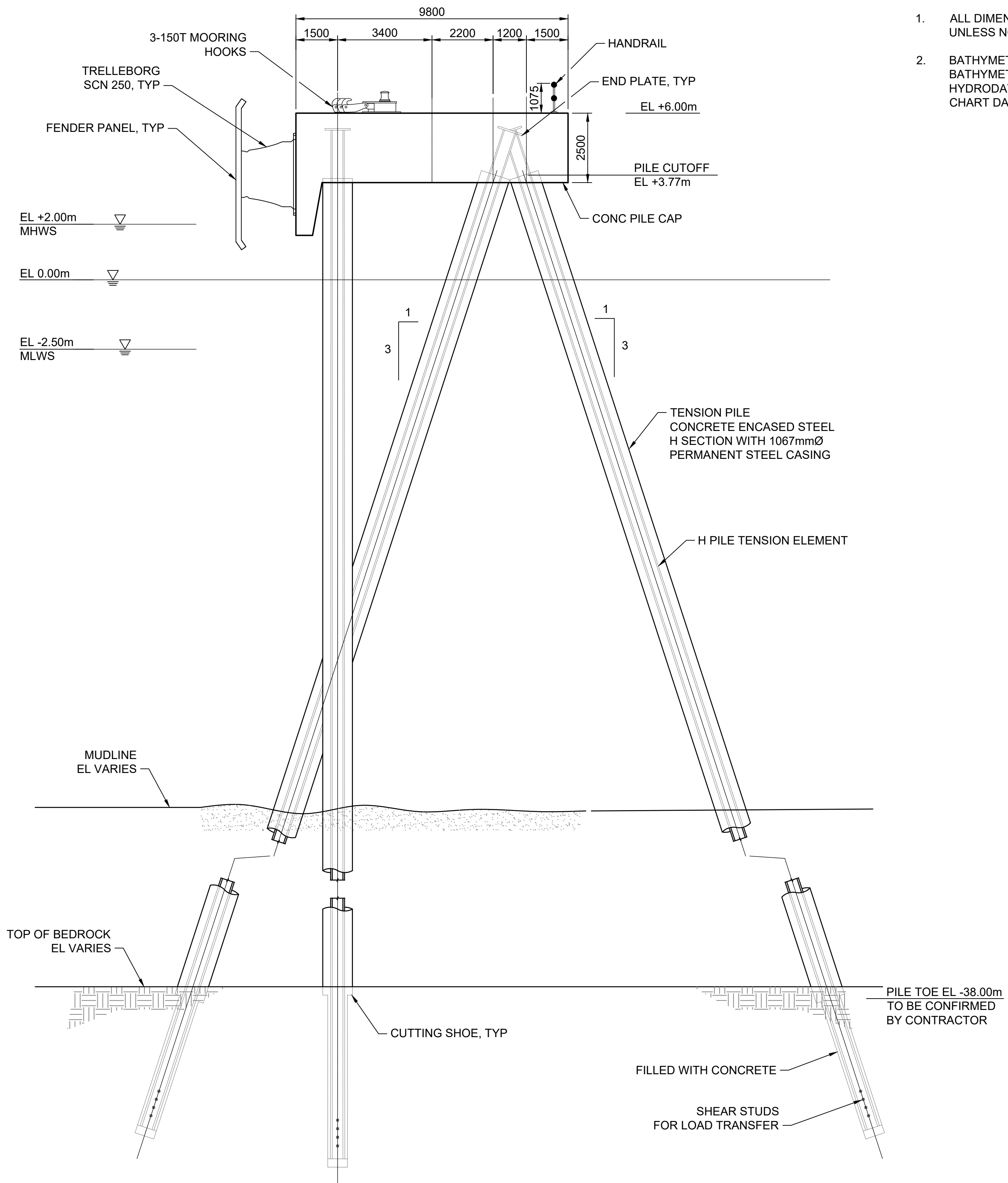


NOTES:

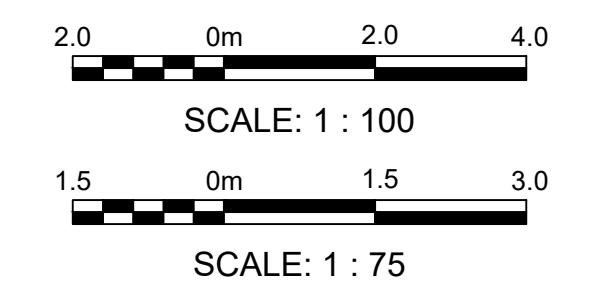
1. ALL DIMENSIONS ARE SHOWN IN MILLIMETERS UNLESS NOTED OTHERWISE.
2. BATHYMETRIC CONTOURS ARE TAKEN FROM BATHYMETRIC SURVEY CARRIED OUT BY IRISH HYDRODATA LTD. AUGUST 2006 AND ARE TO CHART DATUM.



BREASTING DOLPHIN PLAN
SCALE: 1:75



B4 BREASTING DOLPHIN SECTION
SCALE: 1:100



ISSUE FOR PLANNING
ISSUED: 2021-08-17
NOT TO BE USED FOR CONSTRUCTION

Rev.	Date	Description

SHANNON LNG LIMITED
SHANNON TECHNOLOGY AND ENERGY PARK (STEP)

BREASTING DOLPHINS DETAILS

Designed by:	Drawn by:	Checked by:	Reviewed by:	Submitted by:
FMC	REV	AB	AB	MOFFATT & NICHOL

Date:	M&A Project No.:	Drawing code:	Drawing Scale:
2021-08-17	921236		1:1 (Metric D)

THE HUB
FARNBOROUGH BUSINESS PARK
FOWLER AVENUE
FARNBOROUGH
HANTS
RG14 2AB
UNITED KINGDOM
T +44(0)1252 516398

SEAL

Sheet Reference No.
S-514
INDEX: 19 OF 21

File: C:\FN\9212-36 nfc shannon lng\500 CADD\Active\Isru concept analysis\921236S-514 ; Plotted: 8/17/2021 10:24 a. m. by PEREZ, HERMES ; Saved: 6/2/2021 6:03 p. m. by KSANCHEZ