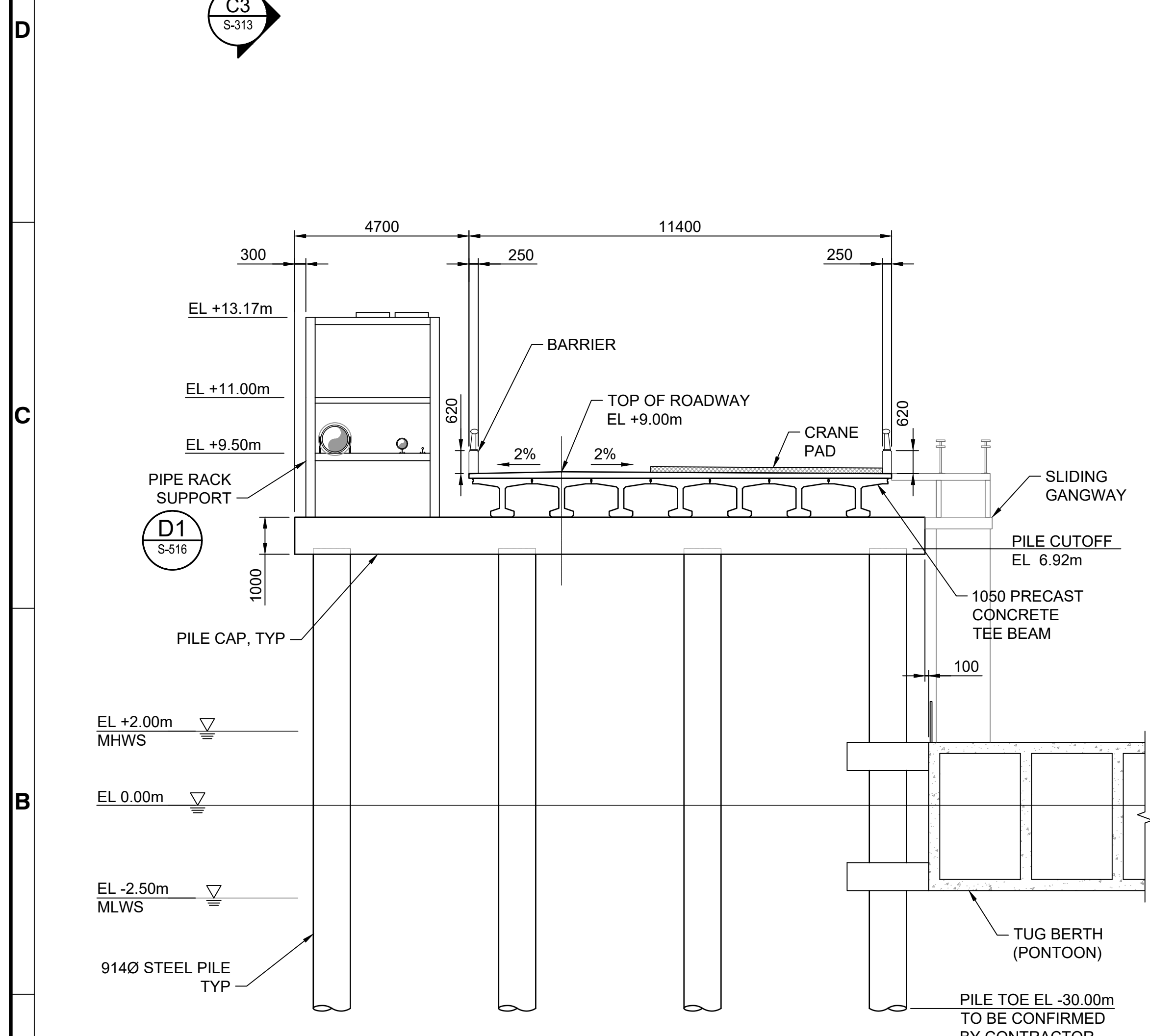
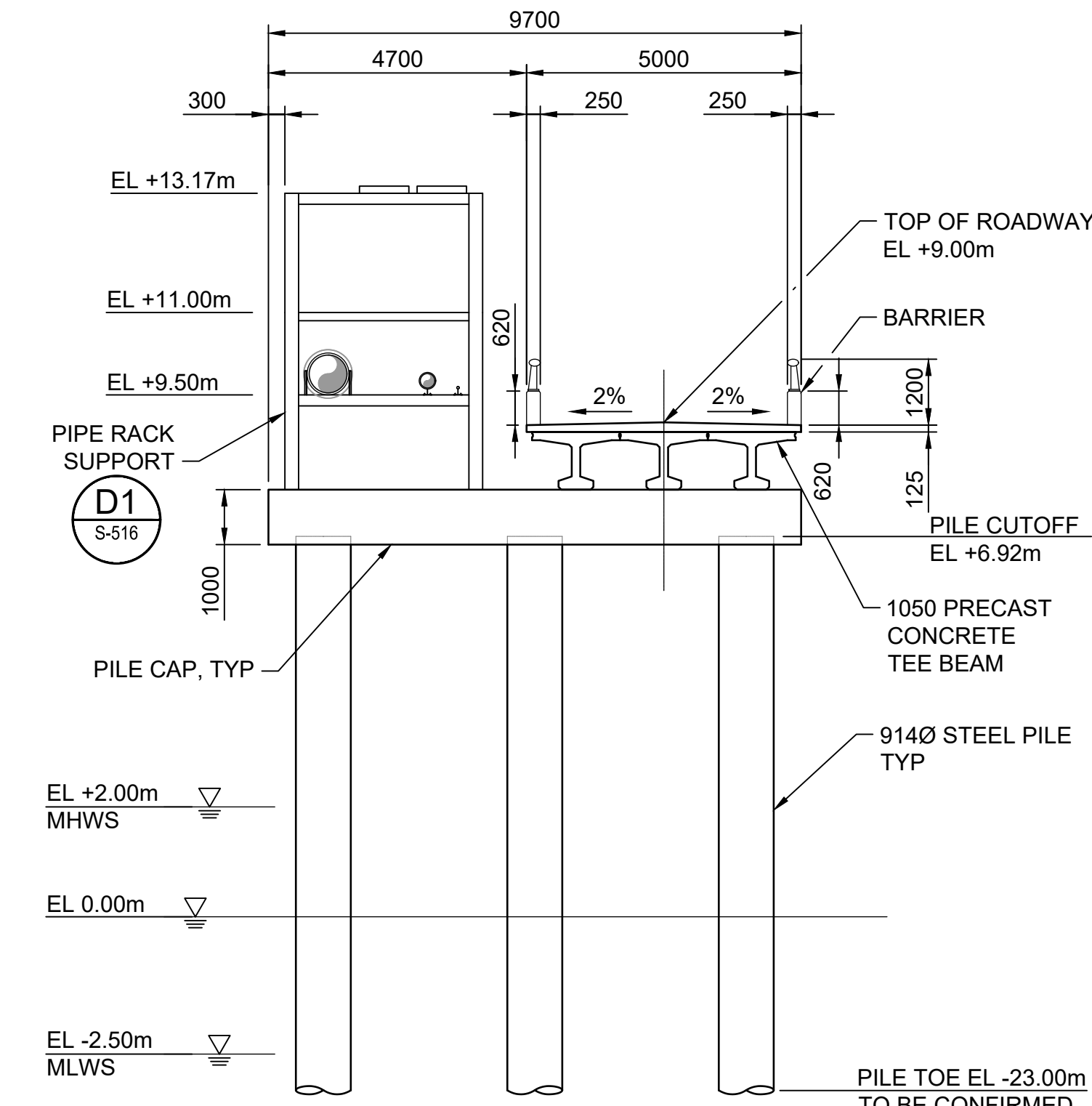


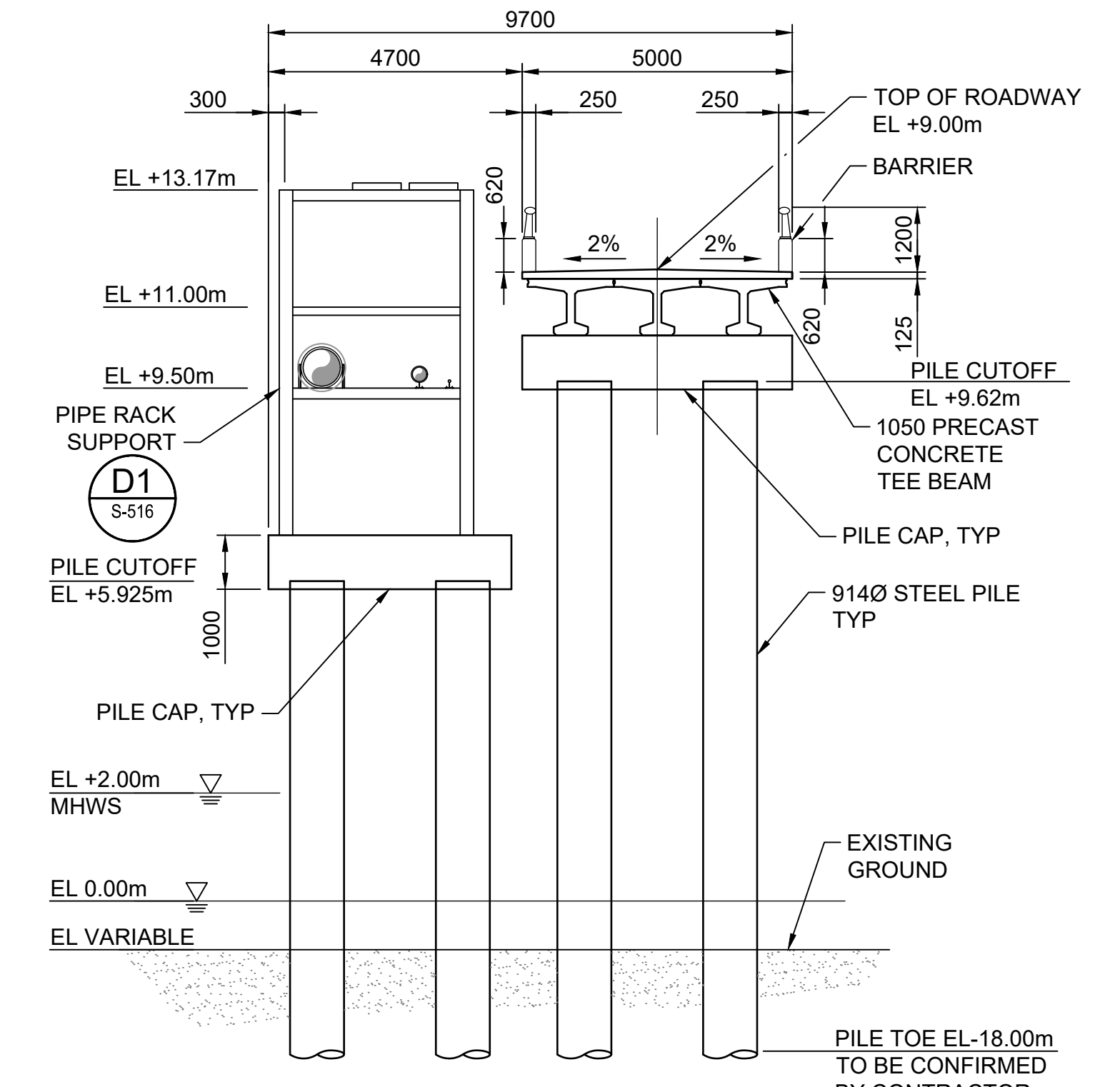
D3 SECTION
G-110 SCALE: 1:600



A1 SECTION
S-111 SCALE: 1:100



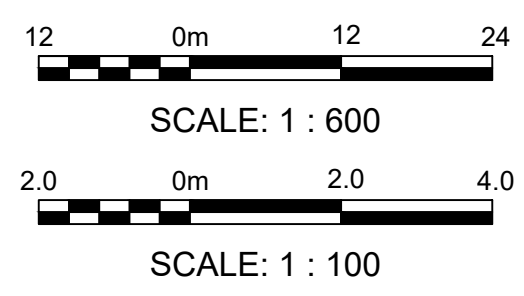
A3 SECTION
S-111 SCALE: 1:100



A5 SECTION
S-111 SCALE: 1:100

NOTES:

- ALL DIMENSIONS ARE SHOWN IN MILLIMETRES UNLESS NOTED OTHERWISE.
- ALL ELEVATIONS ARE IN METRES UNLESS NOTED OTHERWISE
- BATHYMETRY LEVELS ARE TO CHART DATUM, FOLLOWING HYDROGRAPHIC CONVENTION OF BEING POSITIVE BELOW CHART DATUM. CHART DATUM IS 3.0M BELOW ORDNANCE DATUM MALIN HEAD (0M CHART DATUM = -3.0M MALIN HEAD DATUM)



ISSUE FOR PLANNING
ISSUED: 2021-08-17
NOT TO BE USED FOR CONSTRUCTION

<p>SHANNON LNG LIMITED SHANNON TECHNOLOGY AND ENERGY PARK (STEP)</p>	<p>ACCESS TRESTLE SECTIONS</p>
<p>THE HUB FARNBOROUGH BUSINESS PARK FOWLER AVENUE FARNBOROUGH SANTON UNITED KINGDOM T +44(0)1252 516398</p>	<p>Designed by: FMC Dwn by: REV Checked by: AB Reviewed by: AB Submitted by: MOFFATT & NICHOL</p>
<p>Rev. No. Date Description</p>	<p>Per scale: 1:1 (Metric D)</p>
<p>Sheet Reference No. S-311</p>	
<p>INDEX: 12 OF 21</p>	

File: C:\F\9212-36 nfe shannon lng\600 CAD\1_Active\Isru concept analysis\8212365-311 ; Plotted: 8/17/2021 11:12 a. m. by PEREZ, HERMES; Saved: 8/17/2021 11:17 a. m. by HPEREZ