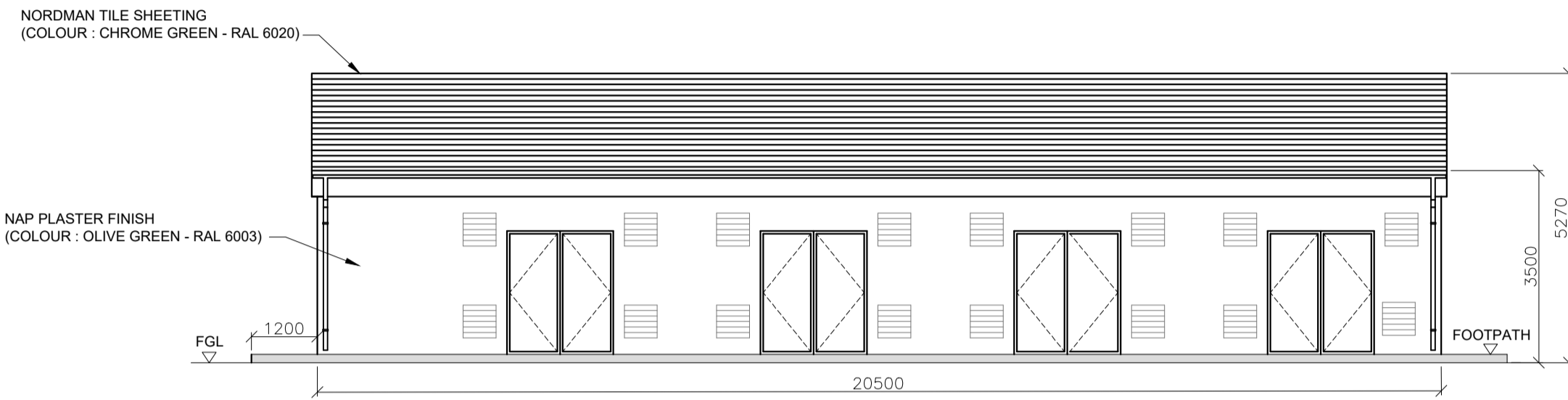
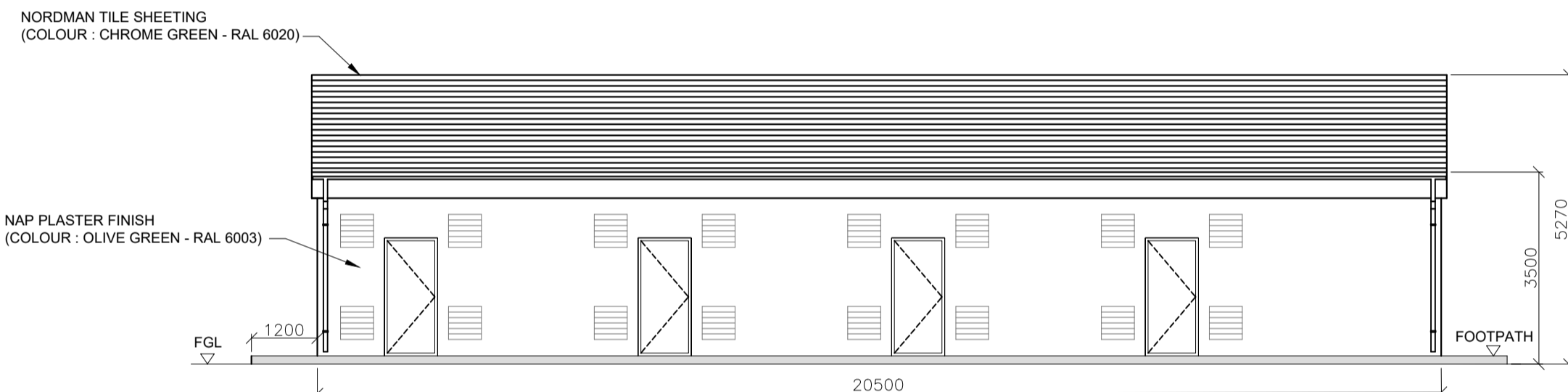


FLOOR PLAN
SCALE: 1:100

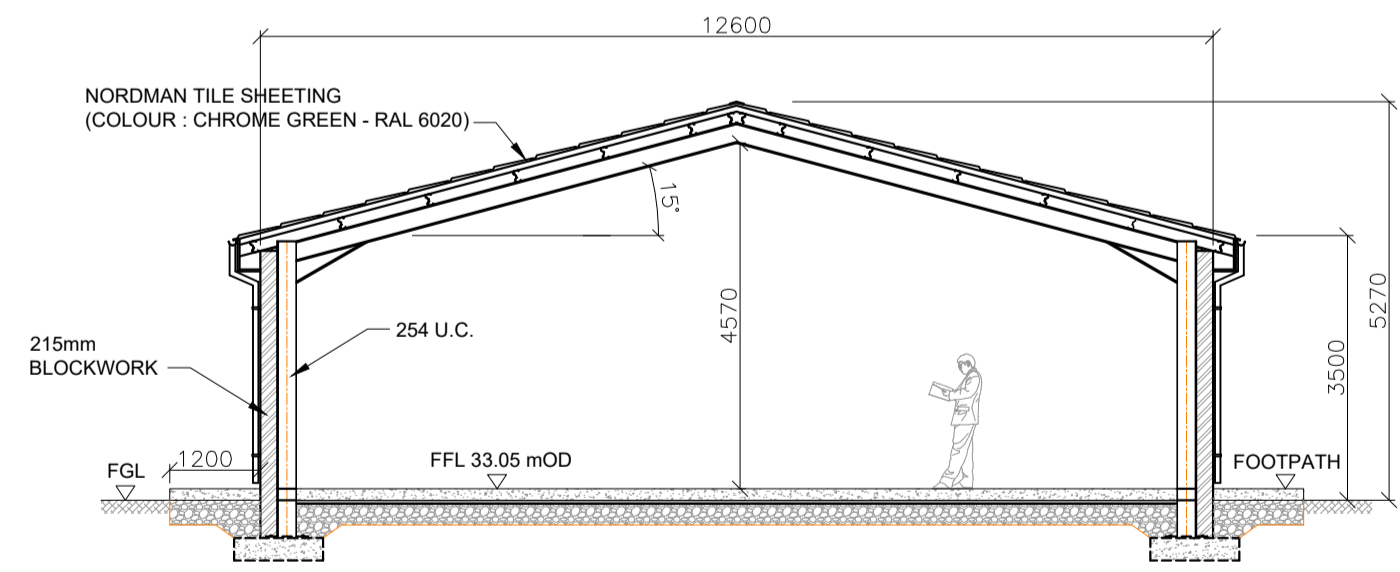
Floor Area:
243.6 m² - 2,622 ft²



ELEVATION VIEW 'A'
SCALE: 1:100



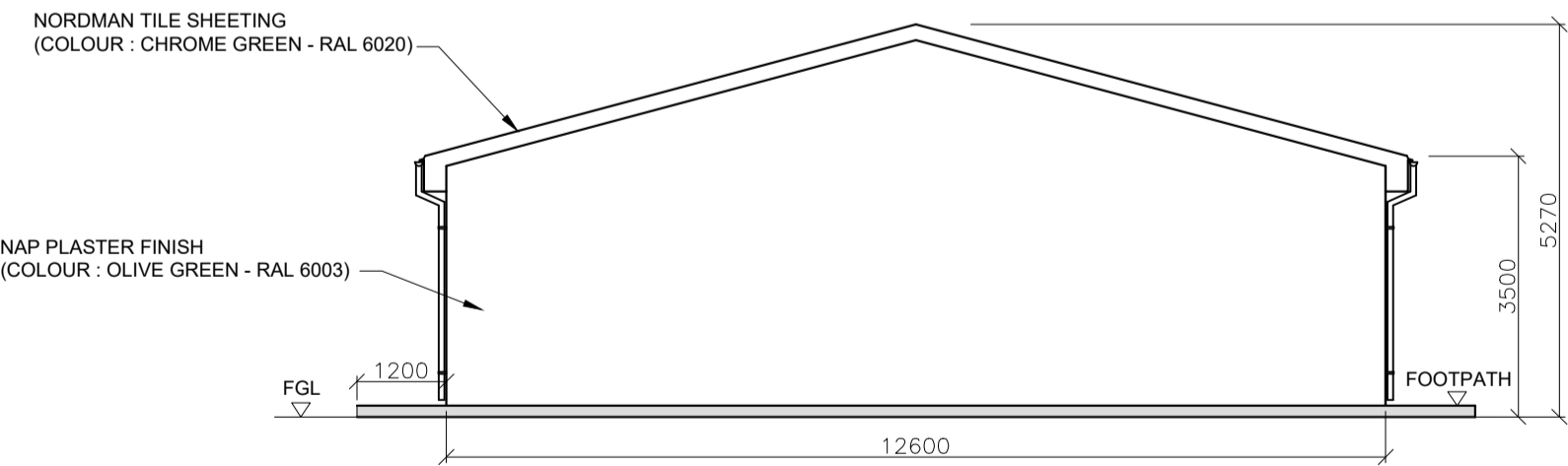
ELEVATION VIEW 'C'
SCALE: 1:100



SECTION A-A
SCALE: 1:100



ELEVATION VIEW 'B'
SCALE: 1:100



ELEVATION VIEW 'D'
SCALE: 1:100

NOTES

ISSUE FOR PLANNING

Applicant
Shannon LNG Limited

REV.	DATE	REVISION	BY	CHKD.	APPR.
2	11/08/21	ISSUE FOR PLANNING	RMD	MC	BF
1	24/03/21	ISSUE FOR PLANNING	MAH	MC	BF
0	02/10/20	CONCEPTUAL ISSUE	OC	MC	BF

Client
Gas Networks Ireland
GAS NETWORK IRELAND
P.O. BOX 51, Gasworks Road, Cork
Rep of Ireland
T: +353 21 4534000
F: +353 21 4534001

Consultant
Fingleton White
Bridge Street Centre
Portlaoise
Co. Laois
R32 W0CC
Ireland
T: (00353)0157 866 5400
www.fingleton.ie

Project
SHANNON TECHNOLOGY AND ENERGY PARK (STEP)

Title
**REGULATOR BUILDING
PLAN, ELEVATIONS & SECTION**

Drawn	Scale	Drawing Number	Rev.
M.ABOUHJAR	1:100/A1	1227-02-DG-0015	2
Checked	Date	Status	
M.CONROY	24/03/21	ISSUED	
Appr'd			
B.FINGLETON			