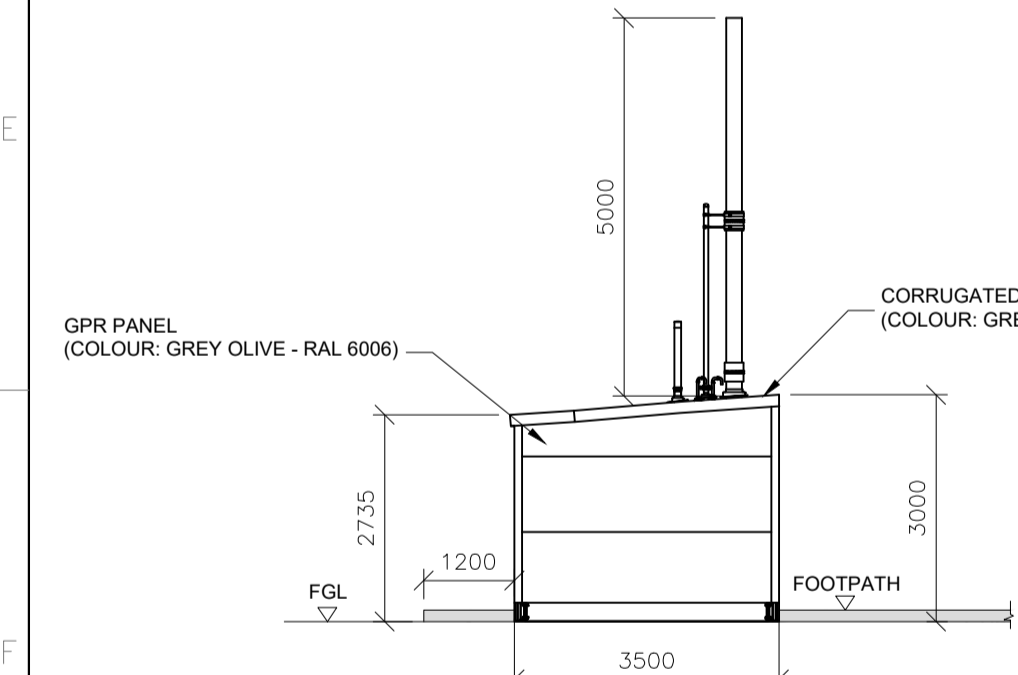


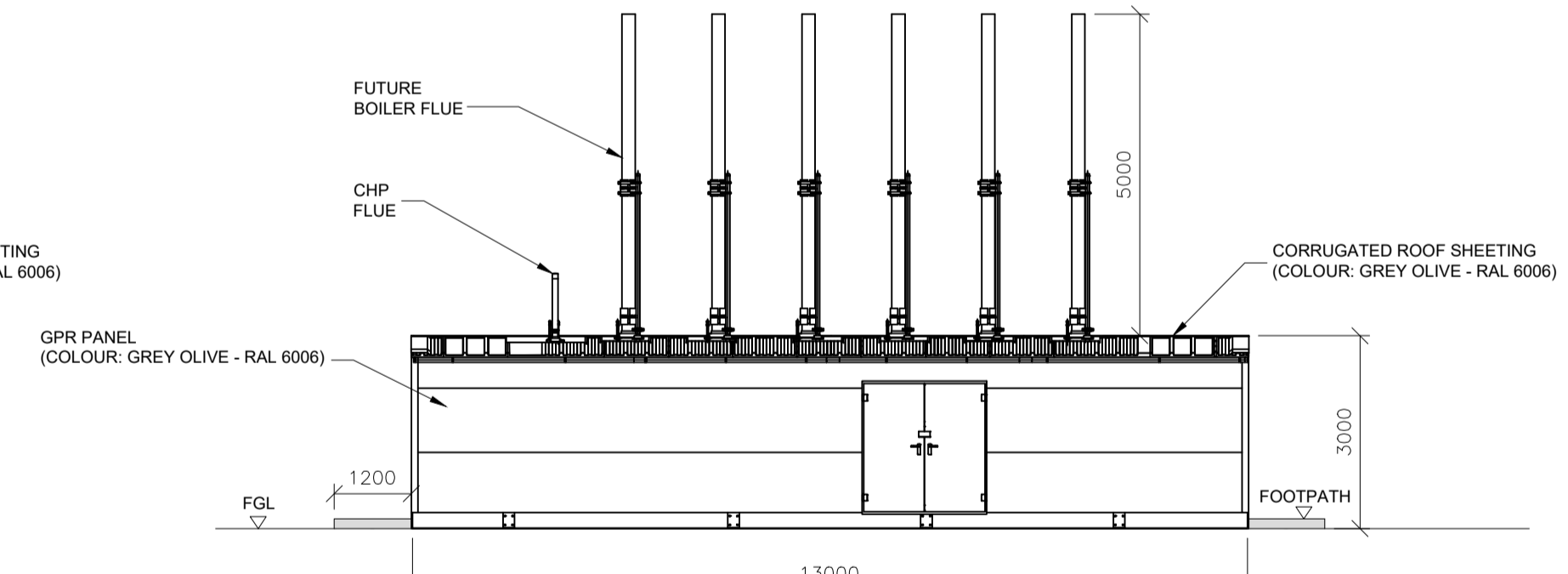
PACKAGE BOILER UNIT
FLOOR AREA
42.24 m² (454.66 ft²)

PLAN VIEW
SCALE: 1:100

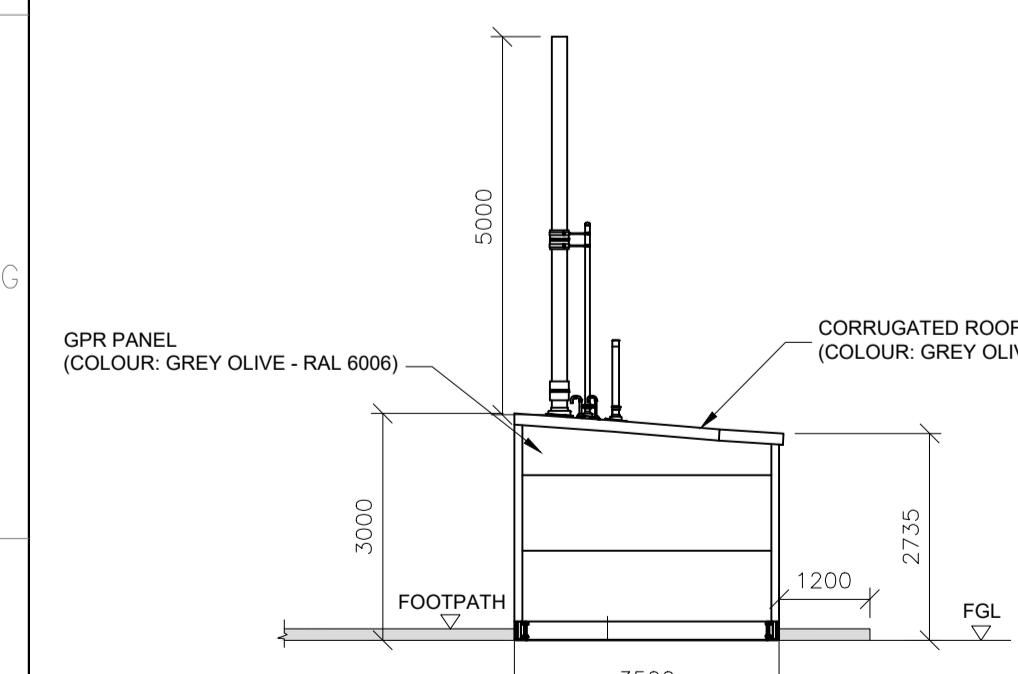
OVERALL ELEVATION VIEW E
SCALE: 1:100



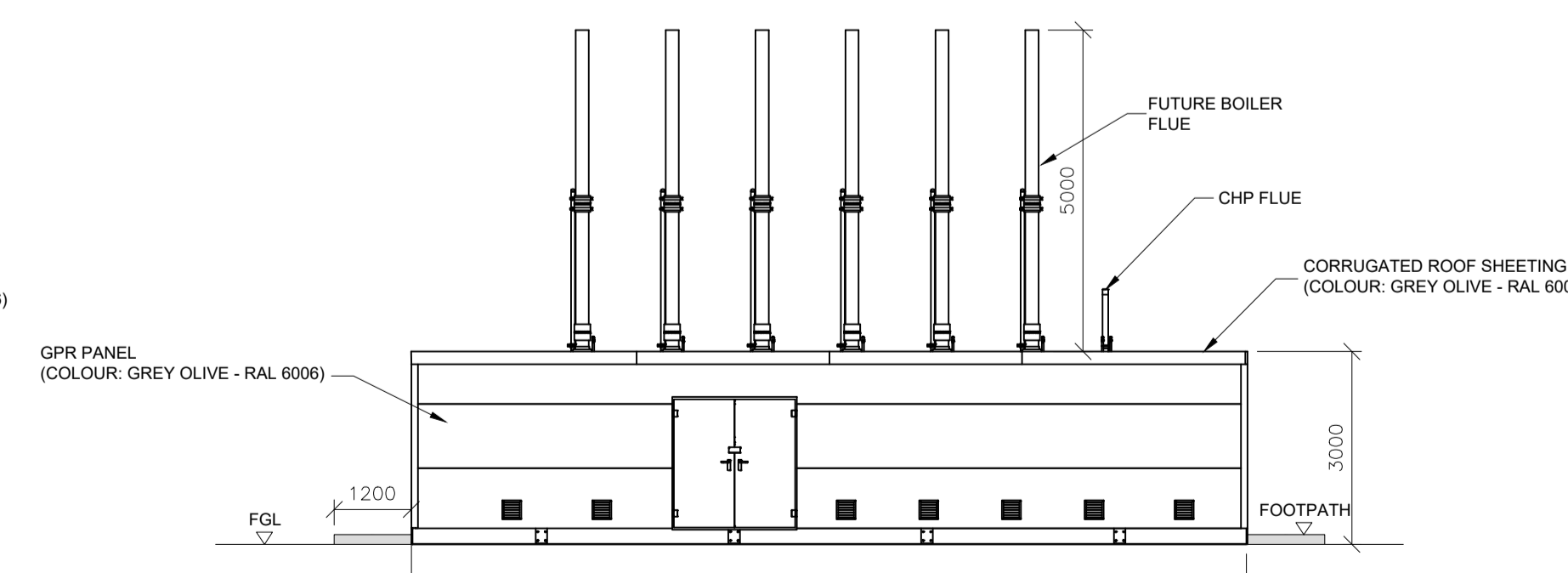
ELEVATION VIEW A
SCALE: 1:100



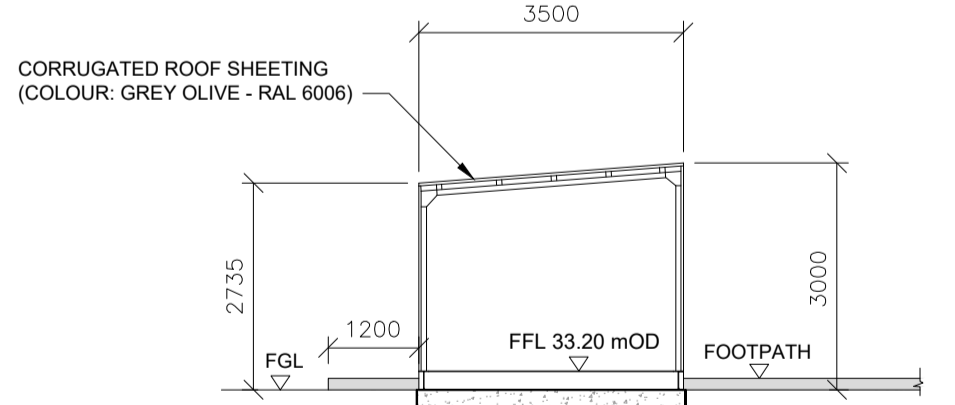
ELEVATION VIEW B
SCALE: 1:100



ELEVATION VIEW C
SCALE: 1:100



ELEVATION VIEW D
SCALE: 1:100



SECTION A-A
SCALE: 1:100

NOTES

ISSUE FOR PLANNING

Applicant
Shannon LNG Limited

REV.	DATE	REVISION	BY	CHKD.	APPR.
2	11/08/21	ISSUE FOR PLANNING	RMD	MC	BF
1	24/03/21	ISSUE FOR PLANNING	MAH	MC	BF
0	02/10/20	CONCEPTUAL ISSUE	MAH	MC	BF

Client
Gas Networks Ireland
P.O. BOX 51, Gasworks Road, Cork
Rep. of Ireland
T: +353 21 4534000
F: +353 21 4534001

Consultant
Fingleton White
Bridge Street Centre
Portlaoise
Co. Laois
R32 W0CC
Ireland
T: (00353)0157 866 5400
www.fingleton.ie

Project
SHANNON TECHNOLOGY AND ENERGY PARK (STEP)

Title
**BOILER UNIT DETAILS
PLAN, ELEVATIONS & SECTION**

Drawn	Scale	Drawing Number	Rev.
M.ABOUHJAR	1:100/A1	1227-02-DG-0014	2
Chkd	Date	Status	
M.CONROY	24/03/21	ISSUED	
Apprd	Status		
B.FINGLETON	ISSUED		